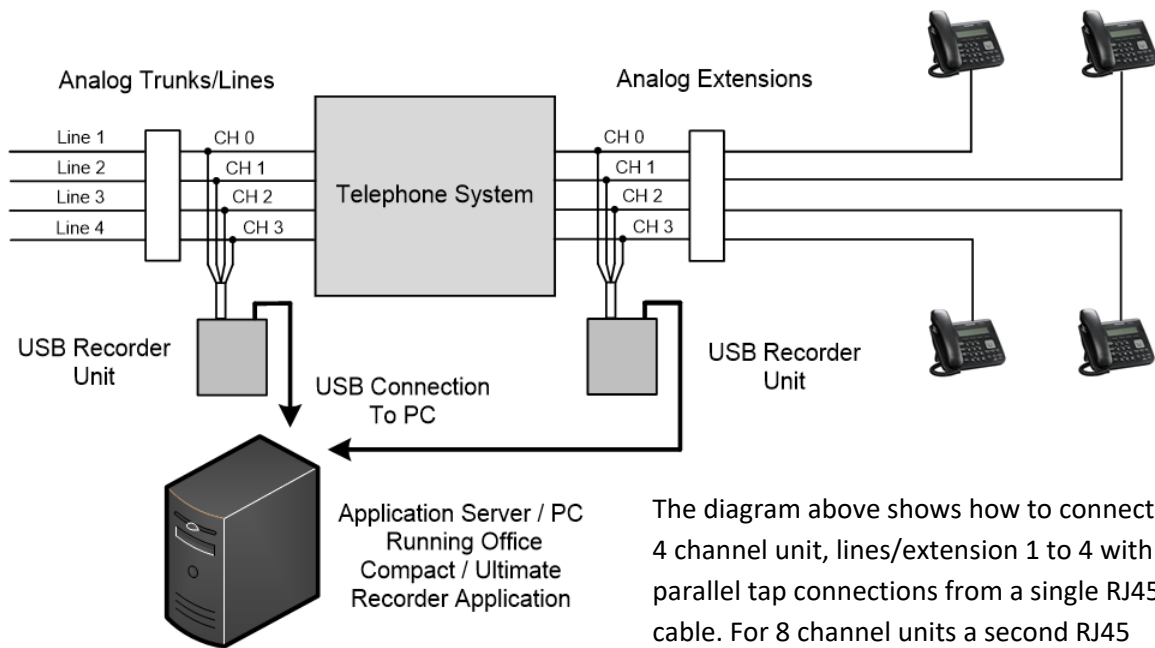
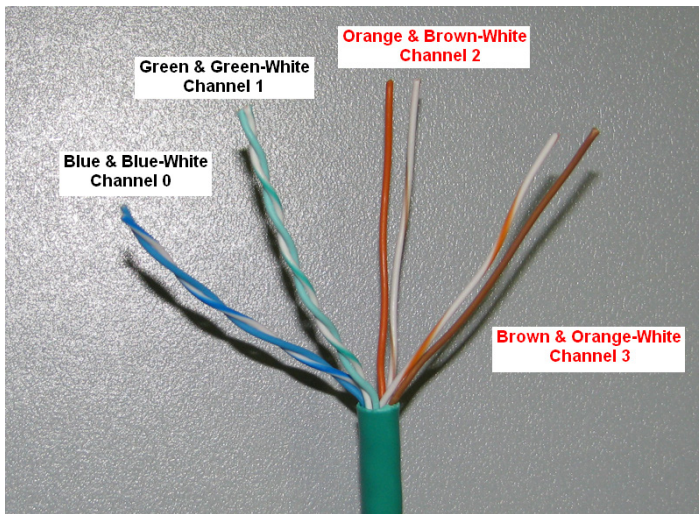


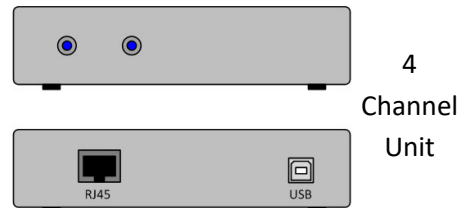
Analog USB Recorder Unit (Trunk/Line & Extension) Connection



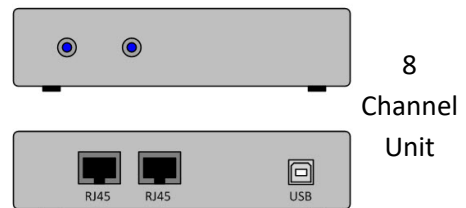
The diagram above shows how to connect a 4 channel unit, lines/extension 1 to 4 with parallel tap connections from a single RJ45 cable. For 8 channel units a second RJ45 cable is required for lines/extension 5 to 8.



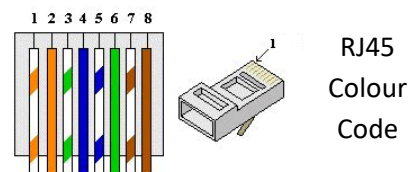
1 LED is used (active) on 4 Channel Units



2 LED's are used (active) on 8 Channel Units



Line	CH	RJ45 Pins	
1	0	4-Blue	5-White/Blue
2	1	3-White/Green	6-Green
3	2	2-Orange	7-White/Brown
4	3	8-Brown	1-White/Orange



The cable shown is a standard CAT-5 UTP cable, which connects to the USB unit RJ45 connector. This wiring applies to all Analog Trunk /Line & Extension USB units that use RJ-45 jacks (4 channels / jack). Connect each channel pair in parallel with Trunk/Line or Extension to form a tap connection.

Note: The wiring twists of a UTP cable do not match the wiring for channels 2 and 3. (See the red coloured labels in the picture).

LED's illuminated (on) if any one or more channels are active (off-hook).