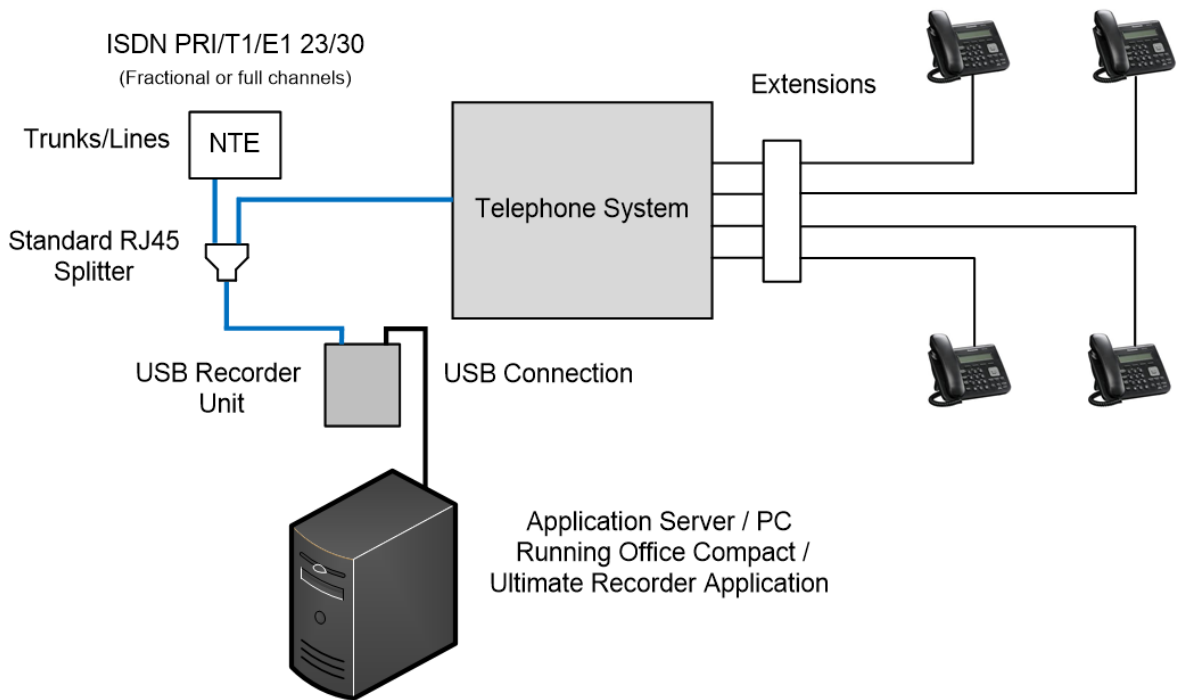


# USB Recorder Unit PRI Trunk / Line Side Connection



## Connecting the USB Units

Use standard straight RJ45 patch leads between the ISDN NTE and RJ45 splitter and telephone system PRI interface connection as shown in the diagram above. Then connect a straight RJ45 patch lead from the USB recorder unit to the splitter.

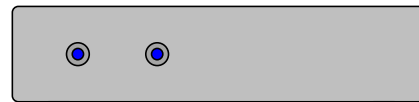
The lead lengths should be kept to a minimum ( $\leq 2$  metres). Longer lead lengths may cause signal degradation and losses, which may cause recorder performance issues.

The RJ45 splitter supplied with the PRI USB unit is a standard straight one-to-one pin connection, creating a parallel TAP recorder unit connection to record all inbound and outbound ISDN Trunk / Line calls.

The T1 dual RJ45 ports are connected in parallel so either port can be used to connect with an RJ45 splitter as shown or the ports can be used as a loop through (NTE connected to one and the other connected to the telephone system).

When the PRI T1/E1 is correctly connected and functional both LED's should be illuminated (solid blue). If the LED's are not illuminated or are flashing then this indicates the PRI is not connected or a PRI connection problem.

### E1 PRI USB Recorder Units



### T1 PRI USB Recorder Units

